



idm automation
A MEMBER OF ILPRA GROUP



Founded in Vigevano in 2009, our company specializes in the design and manufacturing of machinery and automation technologies for the cosmetics industry.

With solid experience and a constant focus on innovation, we develop tailor-made solutions for cosmetic packaging, designed to meet the specific needs of each partner.

Since 2023, we have proudly been part of the ILPRA Group, an international leader in packaging. This strategic alliance allows us to further expand our offering and deliver solutions that are even more complete, reliable, and high-performing.

Fondata a Vigevano nel 2009, la nostra azienda è specializzata nella progettazione e produzione di macchinari e tecnologie di automazione per l'industria cosmetica.

Grazie a un'esperienza consolidata e a un costante orientamento all'innovazione, realizziamo soluzioni su misura per il confezionamento cosmetico, pensate per soddisfare le esigenze specifiche di ogni partner.

Dal 2023 facciamo parte del gruppo ILPRA, leader internazionale nel packaging: un'importante sinergia che ci consente di ampliare ulteriormente la nostra offerta e garantire soluzioni ancora più complete, affidabili e performanti.



IDM Automation is the ideal partner for those looking to take cosmetic production to the next level. Our **filling machines and cosmetic packaging** equipment are the perfect solution for those seeking efficiency, precision, and uncompromising quality.

Whether it's lipsticks, mascaras, or **customized filling and capping solutions**, IDM Automation's automated technologies are designed to perfectly fit your production needs, ensuring consistent and flawless results.

Our machines guarantee the highest precision filling and flawless capping, optimizing every stage of the production process and minimizing downtime. From lip gloss machinery to the most complex cosmetic packaging systems, IDM Automation delivers outstanding performance and absolute reliability for **skincare, makeup, and personal hygiene products**.

Choosing IDM Automation means investing in **cutting-edge technologies** that transform your production, increase productivity, and raise quality standards to excellence. Our solutions are designed to support the growth of your business in a dynamic and competitive market, ensuring constant innovation and tangible advantages.

IDM Automation è il partner ideale per chi vuole portare la produzione cosmetica a un livello superiore. Le nostre **macchine riempitrici e i macchinari per il confezionamento cosmetico** rappresentano la soluzione perfetta per chi cerca efficienza, precisione e qualità senza compromessi.

Che si tratti di mascara, rossetti o **soluzioni personalizzate per riempimento e tappatura**, le tecnologie automatiche di IDM Automation sono progettate per adattarsi perfettamente alle tue esigenze produttive, garantendo risultati costanti e impeccabili.

Le nostre macchine assicurano un riempimento di altissima precisione e una tappatura impeccabile, ottimizzando ogni fase del processo produttivo e riducendo i tempi morti. Dai macchinari per lip gloss ai sistemi più complessi per il confezionamento cosmetico, IDM Automation ti offre performance eccellenti e affidabilità assoluta, per **make up, skincare e prodotti per l'igiene personale**.

Scegliere IDM Automation significa investire in **tecnologie all'avanguardia** che trasformano la tua produzione, aumentano la produttività ed elevano gli standard qualitativi a livelli d'eccellenza. Le nostre soluzioni sono pensate per sostenere la crescita del tuo business in un mercato dinamico e competitivo, garantendo innovazione costante e vantaggi concreti.



Proximity | Prossimità

We are a trusted partner for our clients, supporting them with expertise and customized solutions at every stage of the process: from pre-sales to analysis, design, manufacturing, and installation of innovative machinery and technological systems for the cosmetics sector and beyond. Our experience allows us to offer tailored solutions designed to optimize efficiency, quality, and productivity.

Siamo il partner di fiducia dei nostri clienti, supportandoli con competenza e soluzioni personalizzate in ogni fase del processo: dalla prevendita all'analisi, progettazione, produzione e installazione di macchinari e sistemi tecnologici innovativi per il settore cosmetico e oltre.

La nostra esperienza ci permette di offrire soluzioni su misura, pensate per ottimizzare efficienza, qualità e produttività.



Cooperation | Collaborazione

We work closely with our clients to identify the perfect solution that meets their specific production needs. Whether you need a lipstick filling machine, a mascara filling machine, or any other machinery for the cosmetics sector, we are committed to providing customized, innovative, and high-performance solutions designed to help your business grow.

Collaboriamo a stretto contatto con i nostri clienti per individuare la soluzione perfetta che risponda alle loro specifiche esigenze produttive.

Che tu abbia bisogno di una macchina per il riempimento di rossetti, di mascara o di qualsiasi altra macchina per il settore cosmetico, ci impegniamo a offrire soluzioni personalizzate, innovative e altamente performanti, pensate per far crescere il tuo business.



Flexibility | Flessibilità

We offer fully customizable systems, tailor-made to meet the unique production needs of each client. We work quickly and decisively, ready to adapt flexibly to any changes requested by the end user, always ensuring effective and cutting-edge solutions.

Offriamo sistemi completamente personalizzabili, progettati su misura per rispondere alle esigenze produttive uniche di ogni cliente. Lavoriamo con rapidità e determinazione, pronti ad adattarci con flessibilità a qualsiasi cambiamento richiesto dall'utilizzatore finale, per garantire sempre soluzioni efficaci e all'avanguardia.



Innovation | Innovazione

Let's think about solutions that were previously unthinkable. Whether it's full automation, semi-automation, or mechanical and electronic applications, we make simple what once seemed impossible or too complex. Our cutting-edge machinery and systems revolutionize your production processes, driving efficiency and innovation to the highest levels.

Immaginiamo insieme soluzioni che fino a ieri sembravano impossibili. Che si tratti di automazione completa, semiautomatica, o di applicazioni meccaniche ed elettroniche, trasformiamo in semplicità ciò che prima sembrava impossibile o troppo complesso. I nostri macchinari e sistemi all'avanguardia rivoluzionano i tuoi processi produttivi, spingendo efficienza e innovazione ai massimi livelli.



Service | Servizio

The quality of our service and direct customer relationship are the keys to their satisfaction, resulting in lasting trust and loyalty. Our Customer Service is always ready to listen to your needs, communicate directly with technicians, and provide personalized and timely support dedicated to companies in the personal care sector.

La qualità del nostro servizio e il rapporto diretto con il cliente sono la chiave della loro soddisfazione, che si traduce in fiducia e fedeltà durature. Il nostro Customer Service è sempre pronto ad ascoltare le tue esigenze, interagire direttamente con i tecnici e offrire un supporto personalizzato e tempestivo, dedicato alle aziende del settore della cura della persona.

BOTTLE FILLING	page 6
BOTTLE CAPPING	page 12
TUBES FILLING	page 15
JAR FILLING	page 16
POWDER PROCESSING	page 17
POURED FILLING	page 19
EXTERNAL BULK LOADING SYSTEMS	page 21

All-In-One Series

MF-120, MF-302, eMF-302 Pure, MF-604

Technical features

PRODUCTIVITY:

up to 4800 pcs/h

SUPPORTED FORMATS:

Ø 10 mm – 45 mm

L 35 mm – 110 mm

INTERNAL VOLUME:

1 ml - 60 ml



Technological solutions intended for filling bottles composed of different materials. Machinery designed to fill and close bottles of various shapes and characterized by versatility of use, both in make-up and for the treatment of different areas of the body (skin and hair care).

All-In-One MF-302 has been designed to be customized and configured by adding the modules required for specific productions and the level of automation required.

Available in scale up model (**All-In-One MF-120**), full-electric model (**All-In-One eMF-302 Pure**) and high-speed model (**All-In-One MF-604**).

Application and consumer output

MAKE-UP Eyes, Face, Lips

SKIN CARE Face, Body

HAIR CARE AND COLOUR



ADVANTAGES

- ▶ Product-contact parts in AISI 316 stainless steel.
- ▶ Extreme metering precision
- ▶ Production flexibility thanks to immediate format change
- ▶ Ergonomic design for the maximum comfort for operators during processing
- ▶ Control the access from a single interface with self-diagnostic functionality and intuitive operator support
- ▶ Accessibility improved, high product visibility, maintenance and cleaning operations
- ▶ Security guaranteed by 5 mm + 5 mm toughened and laminated glass
- ▶ Reliability of a robust construction for low maintenance and long service life
- ▶ Simplicity of control thanks to management systems, facilitated mechanical procedures and dedicated software
- ▶ Premium Partnership with **Mitsubishi, Keyence, Festo**

All-In-One Glass

MS-1-160

Technical features

Available in ATEX Zone II "Compliant"

PRODUCTIVITY:

up to 3000 pcs/h

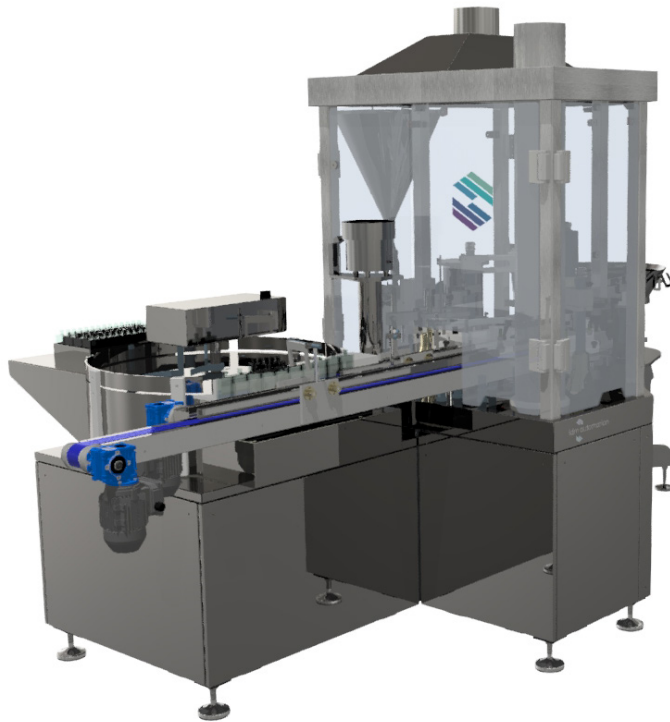
SUPPORTED FORMATS:

Ø 15 mm – 45 mm

L 30 mm – 150 mm

INTERNAL VOLUME:

1 - 60 ml



Automatic or semi-automatic technological solution intended for filling glass bottles and designed to manage the complete assembly of brush, dispenser, cap, dropper of liquid and/or low-viscosity mixtures.

Machinery is designed to manage heterogeneous shape and characterized by versatility of use, both in make-up and for the treatment of different areas of the body (skin and hair care).

All-In-One Glass MS-1-160 can be customized and configured by adding the necessary modules to suit various levels of automation.

Application and consumer output

MAKE-UP Hands and Face

SKIN CARE Face, Body

HAIR CARE



ADVANTAGES

- ▶ Product-contact parts in AISI 316 stainless steel.
- ▶ Extreme metering precision
- ▶ Production flexibility thanks to immediate format change
- ▶ Ergonomic design for the maximum comfort for operators during processing
- ▶ Control the access from a single interface with self-diagnostic functionality and intuitive operator support
- ▶ Accessibility improved, high product visibility, maintenance and cleaning operations
- ▶ Security guaranteed by 5 mm + 5 mm toughened and laminated glass
- ▶ Reliability of a robust construction for low maintenance and long service life
- ▶ Simplicity of control thanks to management systems, facilitated mechanical procedures and dedicated software
- ▶ Premium Partnership with **Mitsubishi, Keyence, Festo**

Linear Fillers

LF-4-6-8-10

Technical features

PRODUCTIVITY:
up to 3600 pcs/h

INTERNAL VOLUME:
500 mL - 10 L



Automatic technological solution intended for filling bottles and jerry cans, engineered for precise and adaptable dosing across a range of viscosities, suitable for liquids, dense, and semi-dense products. The filling options include top filling or submersible filling, specifically designed for handling foaming products efficiently.

Application and consumer output

HAIR CARE
PERSONAL CARE
HOME CARE



ADVANTAGES

- ▶ Controlled dosing with 4-10 anti-drip nozzles
- ▶ Use of Magnetic Inductive (volumetric filling) or Mass Flow Meters (weight-based filling)
- ▶ Options for top filling or submersible filling for foaming products
- ▶ Flexibility: Supports a wide range of formats and sizes
- ▶ Customization: Adaptable to meet your unique production requirements

Continuous Rotary Monoblock

Technical features

PRODUCTIVITY:
up to 3600 pcs/h

INTERNAL VOLUME:
10 mL - 5 L



Automatic, continuous-motion bottle filling solution, designed for high productivity and offered in a monoblock configuration for both filling and capping, with adjustable heads to accommodate varying production speeds. It is suitable for liquid, dense, and semi-dense products, and the filler and capper modules are also available as standalone units.

Application and consumer output

HAIR CARE
PERSONAL CARE
HOME CARE



ADVANTAGES

- ▶ 12 to 60 filling valves
- ▶ Use of Magnetic Inductive or Mass Flow Meters
- ▶ Compatibility with trigger, dispenser, press-on, flip-top, and screw caps
- ▶ Flexibility: Supports a wide range of formats and sizes
- ▶ Customization: Adaptable to meet your unique production requirements

Step Rotary Monoblock

ST2-ST3-ST4-STD

Technical features

PRODUCTIVITY:
up to 2700 pcs/h

INTERNAL VOLUME:
10 mL - 1 L



Automatic rotary solution with intermittent motion, designed for the filling and capping of plastic and glass bottles and jars, handling liquid, dense, and semi-dense products across a wide viscosity range. Both the filler and capper are also available as standalone units.

Application and consumer output

HAIR CARE
PERSONAL CARE
HOME CARE



ADVANTAGES

- ▶ Dosing with anti-drip or cut-off nozzles and immersion filling for foaming products
- ▶ Filling with electronic volumetric dosers
- ▶ Compatibility with trigger, dispenser, press-on, flip-top, and screw caps
- ▶ **Flexibility:** Supports a wide range of formats and sizes
- ▶ **Customization:** Adaptable to meet your unique production requirements

Tracking Rotary Monoblock

ST4W-ST6W

Technical features

PRODUCTIVITY:
up to 3600 pcs/h

INTERNAL VOLUME:
10 ml – 1,5 L



Automatic rotary solution with intermittent motion and an advanced nozzle tracking system, ideal for filling and capping plastic and glass bottles and jars containing liquid, dense, and semi-dense products across a broad viscosity spectrum. Both the filler and capper can also be configured as standalone units.

Application and consumer output

HAIR CARE
PERSONAL CARE
HOME CARE



ADVANTAGES

- ▶ Dosing with anti-drip or cut-off nozzles and immersion filling for foaming products
- ▶ Filling with electronic volumetric dosers
- ▶ Compatibility with trigger, dispenser, press-on, flip-top, and screw caps
- ▶ **Flexibility:** Supports a wide range of formats and sizes
- ▶ **Customization:** Adaptable to meet your unique production requirements

Pick&Place Capping Machine

PT-12

Technical features

PRODUCTIVITY:
up to 1800 pcs/h



Technological solution for cap closure, featuring an automatic "Pick&Place" system that efficiently picks and places caps directly from the infeed conveyor. The filling and capping machines are also available in a monoblock configuration for streamlined integration.

Application and consumer output

HAIR CARE
PERSONAL CARE
HOME CARE



ADVANTAGES

- ▶ "Pick&Place" system with dual gripping pincers for automatic cap insertion
- ▶ Compatibility with trigger, dispenser, and screw caps
- ▶ Bottle feeding and orientation system
- ▶ **Flexibility:** Supports a wide range of formats and sizes
- ▶ **Customization:** Adaptable to meet your unique production requirements

Continuous Rotary Capping Machine

Technical features

PRODUCTIVITY:
up to 36000 pcs/h



Technological solution for cap closure, featuring a continuous rotation system, allowing for scalable production based on required throughput. Filling and capping machines are also available in a monoblock configuration for streamlined operations.

Application and consumer output

HAIR CARE
PERSONAL CARE
HOME CARE



ADVANTAGES

- ▶ Compatibility with trigger, dispenser, press-on, and screw caps
- ▶ Mechanical screw-tightening with hysteresis clutch or servo-driven with torque control
- ▶ Cap feeding with rotary cap selection system
- ▶ **Flexibility:** Supports a wide range of formats and sizes
- ▶ **Customization:** Adaptable to meet your unique production requirements

Tracking Rotary Capping Machine

RT-1

Technical features

PRODUCTIVITY:
up to 2400 pcs/h



Automatic technological solution for cap closure, utilizing a single-head rotary intermittent system, designed for precise and efficient capping. Filling and capping machines are also available as monoblock units for integrated operations.

Application and consumer output

HAIR CARE
PERSONAL CARE
HOME CARE



ADVANTAGES

- ▶ Electronic control of individual servo-driven stations and spindle rotation with torque control
- ▶ Compatibility with trigger, dispenser, press-on, and screw caps
- ▶ Infeed channel and cap selection system
- ▶ **Flexibility:** Supports a wide range of formats and sizes
- ▶ **Customization:** Adaptable to meet your unique production requirements

Clay

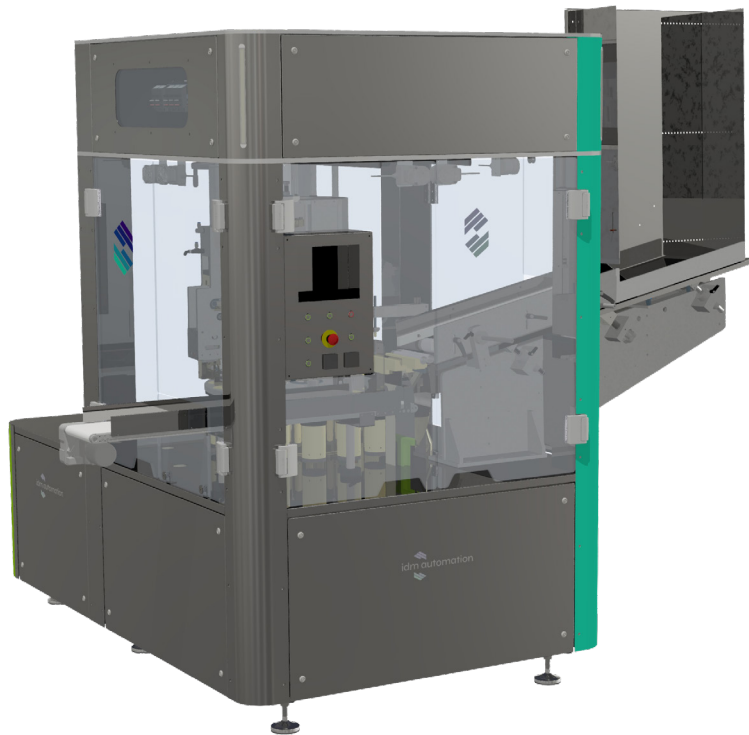
MI-150

Technical features

PRODUCTIVITY:
up to 3600 pcs/h

SUPPORTED FORMATS:
Ø 10 mm – 60 mm
L 60 mm – 250 mm

INTERNAL VOLUME:
10 ml - 250 ml



Automatic technological solution intended for filling-sealing tubes composed of different material. Machinery is designed to handle tubes characterized by versatility of use, both in make-up and for the treatment of different areas of the body (skin, hair and oral care).

Clay MI-150 is compatible with precision dosing of mixtures with different viscosities, can be customized and configured by adding the necessary modules to suit various levels of automation.

Application and consumer output

MAKE-UP Eyes, Face, Lips

SKIN CARE Face, Body

HAIR CARE

ORAL CARE

TOILETRY



ADVANTAGES

- ▶ Product-contact parts in AISI 316 stainless steel.
- ▶ Extreme metering precision
- ▶ Production flexibility thanks to immediate format change
- ▶ Flexibility in filling and sealing or welding tubes made of different materials
- ▶ Ergonomic design for the maximum comfort for operators during processing
- ▶ Control the access from a single interface with self-diagnostic functionality and intuitive operator support
- ▶ Accessibility improved, high product visibility, maintenance and cleaning operations
- ▶ Safety guaranteed by 5 mm + 5 mm toughened and laminated glass
- ▶ Reliability of a robust construction for low maintenance and long service life
- ▶ Simplicity of control thanks to management systems, facilitated mechanical procedures and dedicated software
- ▶ Premium Partnership with **Mitsubishi, Keyence, Festo**

Skintech

MV-1-160

Technical features

PRODUCTIVITY:

up to 3000 pcs/h

SUPPORTED FORMATS:

Ø 30 mm - 125 mm

H 20 mm - 130 mm

INTERNAL VOLUME:

20/500 mL



Automatic technological solution intended to fill jars made of different materials. Machinery is designed to fill, unstack and pre-stack seal, heat seal, sub-top, cap-load and close jars of various shapes and characterized by versatility of use, both in make-up and for the treatment of different areas of the body (skin and hair care).

Skintech MV-1-160 can be customized and configured by adding the necessary modules to suit various levels of automation.

Application and consumer output

MAKE-UP Eyes, Face, Lips

SKIN CARE Eyes, Face, Lips, Body

HAIR CARE



ADVANTAGES

- ▶ Product-contact parts in AISI 316 stainless steel.
- ▶ Extreme dosing precision
- ▶ Production flexibility thanks to immediate format change
- ▶ Ergonomic design for the maximum comfort for operators during processing
- ▶ Control the access from a single interface with self-diagnostic functionality and intuitive operator support
- ▶ Accessibility improved, high product visibility, maintenance, and cleaning operations
- ▶ Security guaranteed by 5 mm + 5 mm toughened and laminated glass
- ▶ Reliability of a robust construction for low maintenance and long service life
- ▶ Simplicity of control thanks to management systems, facilitated mechanical procedures and dedicated software
- ▶ Premium Partnership with **Mitsubishi, Keyence, Festo**

Technodust

IM-240

Technical features

PRODUCTIVITY:
up to 1500 pcs/h

INTERNAL VOLUME:
1/20 ml per single insert



Technological solution intended to produce compact powders using the “wet” method by injection into special moulds from front, back or side injection.

The mixture of wet powders conveyed with the appropriate volatile solvent in dispersion form (slurry) is pressed while simultaneously applying vacuum for almost complete stripping of the solvent, which is then eliminated by subsequent passages.

Technodust IM-240 is an integrated technological solution with two symmetrical operator stations with the possibility of making the interchange station fully automatic.

Application and consumer output

MAKE-UP Eyes, Face & Cheeks



ADVANTAGES

- ▶ Creamier texture and improved pay-off
- ▶ Enhanced visual effects thanks to high concentrations of pearls and mica
- ▶ Uniform pearl alignment for superior aesthetic results
- ▶ Precise filling of pans up to the free edge
- ▶ High drop-test resistance
- ▶ High productivity, with mono- or polychromatic blending of up to 12 colors
- ▶ Flexible production with instant format change via multi-position plate
- ▶ 3D technology for fast feasibility studies
- ▶ Advanced control system with servomotor, unified interface, self-diagnostics, and dedicated software
- ▶ Streamlined management thanks to integrated systems and optimized mechanics
- ▶ AISI 316 stainless steel for all product-contact parts
- ▶ Ergonomic design and optimized accessibility for operators and maintenance
- ▶ Advanced safety features: 5+5 mm tempered laminated glass and laser-protected working areas
- ▶ Robust, long-lasting structure designed to minimize maintenance
- ▶ Collaborations with industry leaders: **Mitsubishi, Keyence, Festo**

Technodust

MB-02

Technical features

PRODUCTIVITY:

up to 3000 pcs/h

MB-01 up to 1000 pcs/h

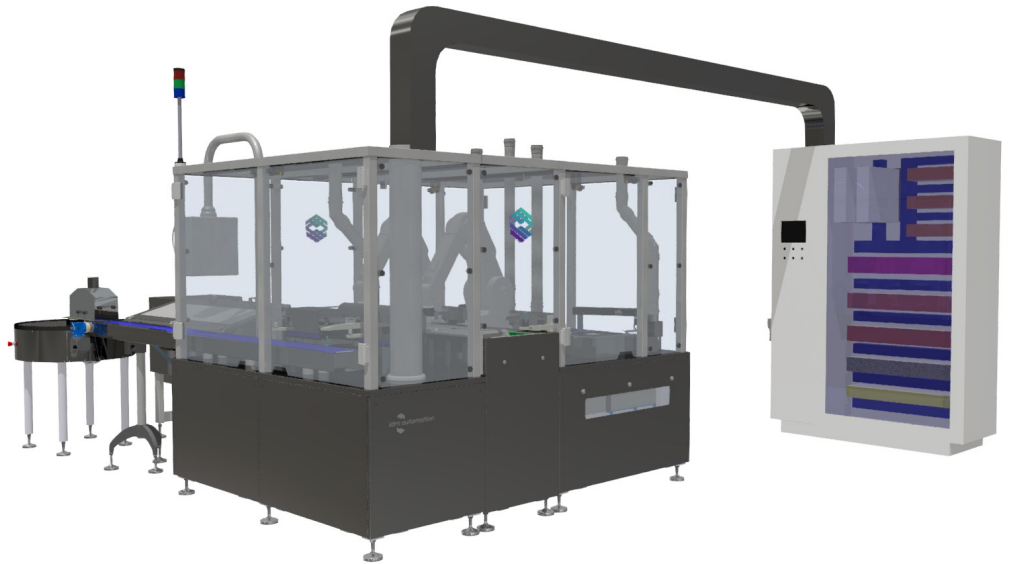
MB-02 up to 2000 pcs/h

PBC-01 up to 1000 pcs/h

PBC-02 up to 2000 pcs/h

SUPPORTED FORMATS:

from Ø 20 mm to Ø 80 mm



Technological solution intended for cleaning the surface and the edge of “baked” cosmetic powders. The features include an electromechanical edge-turning unit, anthropomorphic robot for surface cleaning and dual cleaning with sponges of varying abrasion levels.

Technodust MB-02 is available in different configurations:

MB-01 designed for cleaning the surface and edge of one-line baked powders.

MB-02 designed for cleaning the surface and edge of the baked powders with 2 independent lines.

PBC-01 designed for cleaning the edge of one-line baked powders.

PBC-02 designed for the cleaning of the edge of the baked powders with 2 independent lines.

Application and consumer output

MAKE-UP Hands and Face

SKIN CARE Face, Body

HAIR CARE



ADVANTAGES

- ▶ Best performance of a premium silky textures with an intense, long-lasting colour effect and high drop resistance
- ▶ Product-contact parts in AISI 316 stainless steel.
- ▶ Production flexibility thanks to immediate format change
- ▶ Ergonomic design for comfort for operators during processing
- ▶ Control the access from a single interface with self-diagnostic functionality and intuitive operator support
- ▶ Accessibility improved, high product visibility, maintenance and cleaning operations
- ▶ Security guaranteed by 5 mm + 5 mm toughened and laminated glass
- ▶ Reliability of robust construction for low maintenance and long service life
- ▶ Simplicity of control thanks to management systems, facilitated mechanical procedures and dedicated software
- ▶ Premium Partnership with **Mitsubishi, Keyence, Festo**

Sticktech Fusion

MST-4-050

Technical features

PRODUCTIVITY:

up to 2000 pcs/h

SUPPORTED FORMATS:

Ø6 mm - Ø25 mm

INTERNAL VOLUME:

1 mL - 15 mL



Automatic technological solution intended for producing poured stick. The machinery is equipped with a 50-position rotary table and metal moulds, optimized for handling hot pours of various stick materials, featuring an integrated liquid thermal exchange system for efficient temperature regulation during production.

Sticktech Fusion MST-4-050 is compatible with precision dosing of mixtures with different viscosities and it can be customized and configured by adding the necessary modules to suit various levels of automation.

Application and consumer output

MAKE-UP Eyes, Face, Lips

SKIN CARE Face, Body

TOILETRY, DEO/AP



ADVANTAGES

- ▶ Extreme accuracy for optimal results
- ▶ Maximum comfort for operators during processing
- ▶ Self-diagnostics and easy access management
- ▶ High visibility of the product, simplifying maintenance and cleaning
- ▶ 5 mm + 5 mm toughened and laminated glass for safety
- ▶ Low maintenance, long-lasting construction
- ▶ Simplified management with dedicated software and operator support
- ▶ Collaborations with **Mitsubishi, Keyence, and Festo**
- ▶ 50-Position Rotary Table optimized for high productivity, processing 4 molds simultaneously
- ▶ Innovative Thermal Management: Water-based systems for consistent temperature control, avoiding fluctuations seen in air-based systems
- ▶ Precision and Flexibility: Adaptable two-position valve for seamless hot and cold zone switching, controlled by an external chiller for precise thermal stability

Penciltech Fusion

MPC-6-050

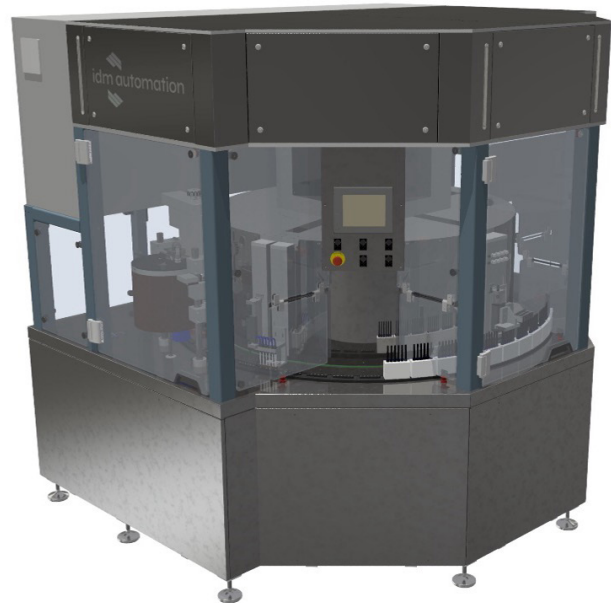
Technical features

PRODUCTIVITY:

up to 2000 pcs/h

SUPPORTED FORMATS:

Ø 3 mm – 6 mm



Semiautomatic technological solution intended to produce hot-cast leads in metal molds and subsequent assembly with the body - pencils. The machinery is equipped with a 50-position rotary table and metal molds, optimized for handling hot-cast leads. The molds are equipped with an integrated liquid thermal exchange system for efficient temperature regulation during production.

Penciltech Fusion MPC-6-050 is compatible with precision dosing of mixtures with different features, and it can be customized and configured by adding the modules required for the production and the degree of automation required.

Application and consumer output

MAKE-UP Eyes, Face, Lips



ADVANTAGES

- ▶ Precision Metering: Extreme accuracy for optimal results
- ▶ Ergonomic Design: Maximum comfort for operators during processing
- ▶ Unified Control Interface: Self-diagnostics and easy access management
- ▶ Enhanced Accessibility: High visibility of the product, simplifying maintenance and cleaning
- ▶ Guaranteed Security: 5 mm + 5 mm toughened and laminated glass for safety
- ▶ Robust Reliability: Low maintenance, long-lasting construction
- ▶ Intuitive Control: Simplified management with dedicated software and operator support
- ▶ Collaborations with **Mitsubishi**, **Keyence**, and **Festo**
- ▶ 50-Position Rotary Table: Optimized for high productivity, processing 6 molds simultaneously
- ▶ **Innovative Thermal Management**: Water-based systems for consistent temperature control, avoiding fluctuations seen in air-based systems
- ▶ **Precision and Flexibility**: Adaptable two-position valve for seamless hot and cold zone switching, controlled by an external chiller for precise thermal stability

Pressure Tank

PM 15-100

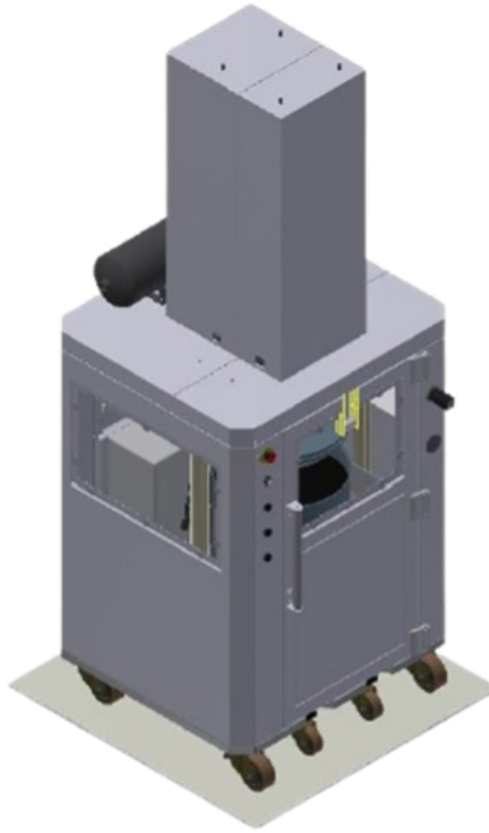
Technical features

PRESSURE:

16 bar

VOLUME:

100 L



Pressurized Tank for High-Viscosity Products designed to dispense high-viscosity products (from 500,000 cps) according to desired quantities and flow rates. Our pressure tank is ideal for industries requiring high-precision supply systems to support automated bottle filling processes.

ADVANTAGES

- ▶ Removable drum with swivel casters
- ▶ Adjustable pressure
- ▶ Product outlet from the lid
- ▶ High Capacity: Accommodates up to 100 liters, ensuring continuous supply to your filling machines
- ▶ Precision and Control: Delivers mascara with the exact flow rate and quantity needed for your operations
- ▶ Safety Assurance: Complies with UNI EN ISO standards for reliable and secure operation
- ▶ Robust Construction: Designed to withstand intensive industrial use, ensuring durability over time
- ▶ Versatile Integration: Easily adaptable to various automated filling systems

External Melter 30 L

T-030-DR

Technical features

AGITATION MODE:

Bottom and Adjustable (DR)

VOLUME:

30 L



Heated Melter with Band Electric Heaters designed to maintain product agitation with four-zone independent temperature control, up to a maximum temperature of 120°C.

ADVANTAGES

- ▶ Dual product outlet, from the front and bottom of the melter
- ▶ Paddle agitator with bottom immersion and temperature probe
- ▶ Removable, sealed lid with control sensor
- ▶ **Uniform Heating:** electric bands ensure even heat distribution throughout the product
- ▶ **Easy Mobility:** Equipped with locking swivel wheels for easy transport and stability
- ▶ **Efficient Mixing:** Bottom-immersion agitator and mixer for effective product consistency
- ▶ **Temperature Control:** Precise temperature regulation for optimal product performance
- ▶ **Versatile Usage:** Dual product outlets for flexible filling and dispensing options

External Melter 80 L

T-080-DF

Technical features

AGITATION MODE:

Bottom and Fixed (DF)

VOLUME:

80 L



Heated Melter with Band Electric Heaters designed to keep the product agitated with four-zone independent temperature control, up to a maximum temperature of 120°C.

ADVANTAGES

- ▶ Paddle agitator with bottom immersion and temperature probe
- ▶ Dual product outlet, from the front and bottom
- ▶ Removable, sealed lid with control sensor
- ▶ **Uniform Heating:** Electric bands ensure even temperature distribution
- ▶ **High Precision:** Advanced sensors for product temperature, level, and control
- ▶ **Ease of Use:** Equipped with a removable lid and swivel casters for easy mobility
- ▶ **Durable Design:** Built to handle rigorous industrial use with robust materials

External Melter 150 L

T-150-UF

Technical features

AGITATION MODE:

Top and Fixed (UF)

VOLUME:

150 L



Heated Melter with Band Electric Heaters designed to keep the product agitated with four-zone independent temperature control, up to a maximum temperature of 120°C.

ADVANTAGES

- ▶ Front-only product outlet
- ▶ Paddle agitator with top immersion
- ▶ Removable, sealed lid with control sensor
- ▶ **High Efficiency:** Uniform heating through electric bands and precise temperature control
- ▶ **Ease of Use:** Front product dispensing and a manually removable lid simplify operations
- ▶ **Mobility:** Equipped with braked swivel wheels for easy movement and secure placement
- ▶ **Robust Design:** Built for reliability, even under demanding conditions



SPECIAL AUTOMATION & SOLUTION INTEGRATION



IDM Automation Srl
Via Oroboni 6, Vigevano (PV) ITALY
+39 0381 81887 - info@idmautomation.it
idmautomation.it

